

The **RC6** Block Cipher: A simple fast secure AES proposal

Ronald L. Rivest	MIT
Matt Robshaw	RSA Labs
Ray Sidney	RSA Labs
Yiqun Lisa Yin	RSA Labs

(August 21, 1998)

Outline

- ◆ Design Philosophy
- ◆ Description of RC6
- ◆ Implementation Results
- ◆ Security
- ◆ Conclusion

Design Philosophy

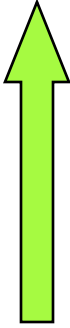
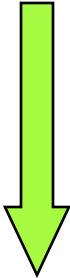
- ◆ Leverage our experience with RC5: use *data-dependent rotations* to achieve a high level of security.
- ◆ Adapt RC5 to meet AES requirements
- ◆ Take advantage of a new primitive for increased security and efficiency: *32x32 multiplication*, which executes quickly on modern processors, to compute rotation amounts.

Description of RC6

Description of RC6

- ◆ RC6-w/r/b parameters:
 - *Word size* in bits: w (32)($\lg(w) = 5$)
 - Number of *rounds*: r (20)
 - Number of *key bytes*: b (16, 24, or 32)
- ◆ Key Expansion:
 - Produces array $S[0 \dots 2r + 3]$ of w -bit *round keys*.
- ◆ Encryption and Decryption:
 - Input/Output in 32-bit registers A, B, C, D

RC6 Primitive Operations

RC5		$A + B$	Addition modulo 2^w
		$A - B$	Subtraction modulo 2^w
		$A \oplus B$	Exclusive-Or
		$A \lll B$	Rotate A left by amount in low-order $\lg(w)$ bits of B
		$A \ggg B$	Rotate A right, similarly
		$(A, B, C, D) = (B, C, D, A)$	Parallel assignment
	$A \times B$	Multiplication modulo 2^w	

RC6 Encryption (Generic)

$$B = B + S[0]$$

$$D = D + S[1]$$

for $i = 1$ to r do

{

$$t = (B \times (2B + 1)) \lll \lg(w)$$

$$u = (D \times (2D + 1)) \lll \lg(w)$$

$$A = ((A \oplus t) \lll u) + S[2i]$$

$$C = ((C \oplus u) \lll t) + S[2i + 1]$$

$$(A, B, C, D) = (B, C, D, A)$$

}

$$A = A + S[2r + 2]$$

$$C = C + S[2r + 3]$$

RC6 Encryption (for AES)

$$B = B + S[0]$$

$$D = D + S[1]$$

for $i = 1$ to 20 do

{

$$t = (B \times (2B + 1)) \lll 5$$

$$u = (D \times (2D + 1)) \lll 5$$

$$A = ((A \oplus t) \lll u) + S[2i]$$

$$C = ((C \oplus u) \lll t) + S[2i + 1]$$

$$(A, B, C, D) = (B, C, D, A)$$

}

$$A = A + S[42]$$

$$C = C + S[43]$$

RC6 Decryption (for AES)

$$C = C - S[43]$$

$$A = A - S[42]$$

for $i = 20$ downto 1 do

{

$$(A, B, C, D) = (D, A, B, C)$$

$$u = (D \times (2D + 1)) \lll 5$$

$$t = (B \times (2B + 1)) \lll 5$$

$$C = ((C - S[2i + 1]) \ggg t) \oplus u$$

$$A = ((A - S[2i]) \ggg u) \oplus t$$

}

$$D = D - S[1]$$

$$B = B - S[0]$$

Key Expansion (Same as RC5's)

- ◆ Input: array $L[0 \dots c-1]$ of input key words
- ◆ Output: array $S[0 \dots 43]$ of round key words
- ◆ Procedure:
 $S[0] = 0xB7E15163$
 for $i = 1$ to 43 do $S[i] = S[i-1] + 0x9E3779B9$
 $A = B = i = j = 0$
 for $s = 1$ to 132 do
 { $A = S[i] = (S[i] + A + B) \lll 3$
 $B = L[j] = (L[j] + A + B) \lll (A + B)$
 $i = (i + 1) \bmod 44$
 $j = (j + 1) \bmod c$ }

From RC5 to RC6
in seven easy steps

(1) Start with RC5

RC5 encryption inner loop:

```
for i = 1 to r do
{
    A = ( ( A ⊕ B ) <<< B ) + S[ i ]
    ( A, B ) = ( B, A )
}
```

Can RC5 be strengthened by having rotation amounts depend on *all* the bits of B?

Better rotation amounts?

- ◆ Modulo function?
Use low-order bits of $(B \bmod d)$
Too slow!
- ◆ Linear function?
Use high-order bits of $(c \times B)$
Hard to pick c well!
- ◆ Quadratic function?
Use high-order bits of $(B \times (2B+1))$
Just right!

$B \times (2B+1)$ is *one-to-one* mod 2^w

Proof: By contradiction. If $B \neq C$ but
 $B \times (2B + 1) = C \times (2C + 1) \pmod{2^w}$

then

$$(B - C) \times (2B+2C+1) = 0 \pmod{2^w}$$

But $(B-C)$ is nonzero and $(2B+2C+1)$ is odd; their product can't be zero! \square

Corollary:

B uniform $\rightarrow B \times (2B+1)$ uniform
(and high-order bits are uniform too!)

High-order bits of $B \times (2B+1)$

- ◆ The high-order bits of $f(B) = B \times (2B + 1) = 2B^2 + B$ depend on all the bits of B .
- ◆ Let $B = B_{31}B_{30}B_{29} \dots B_1B_0$ in binary.
- ◆ Flipping bit i of input B
 - Leaves bits $0 \dots i-1$ of $f(B)$ unchanged,
 - Flips bit i of $f(B)$ with probability one,
 - Flips bit j of $f(B)$, for $j > i$, with probability approximately $1/2$ ($1/4 \dots 1$),
 - is likely to change some high-order bit.

(2) Quadratic Rotation Amounts

```
for i = 1 to r do
{
  t = ( B x ( 2B + 1 ) ) <<< 5
  A = ( ( A ⊕ B ) <<< t ) + S[ i ]
  ( A, B ) = ( B, A )
}
```

But now much of the output of this nice multiplication is being wasted...

(3) Use t, not B, as xor input

```
for i = 1 to r do
{
  t = ( B × ( 2B + 1 ) ) <<< 5
  A = ( ( A ⊕ t ) <<< t ) + S[ i ]
  ( A, B ) = ( B, A )
}
```

Now AES requires 128-bit blocks.

We could use two 64-bit registers, but 64-bit operations are poorly supported with typical C compilers...

(4) Do two RC5's in parallel

Use four 32-bit regs (A,B,C,D), and do RC5 on (C,D) in parallel with RC5 on (A,B):

for $i = 1$ to r do

{

$$t = (B \times (2B + 1)) \lll 5$$

$$A = ((A \oplus t) \lll t) + S[2i]$$

$$(A, B) = (B, A)$$

$$u = (D \times (2D + 1)) \lll 5$$

$$C = ((C \oplus u) \lll u) + S[2i + 1]$$

$$(C, D) = (D, C)$$

}

(5) Mix up data between copies

Switch rotation amounts between copies,
and cyclically permute registers instead of
swapping:

for $i = 1$ to r do

{

$$t = (B \times (2B + 1)) \lll 5$$

$$u = (D \times (2D + 1)) \lll 5$$

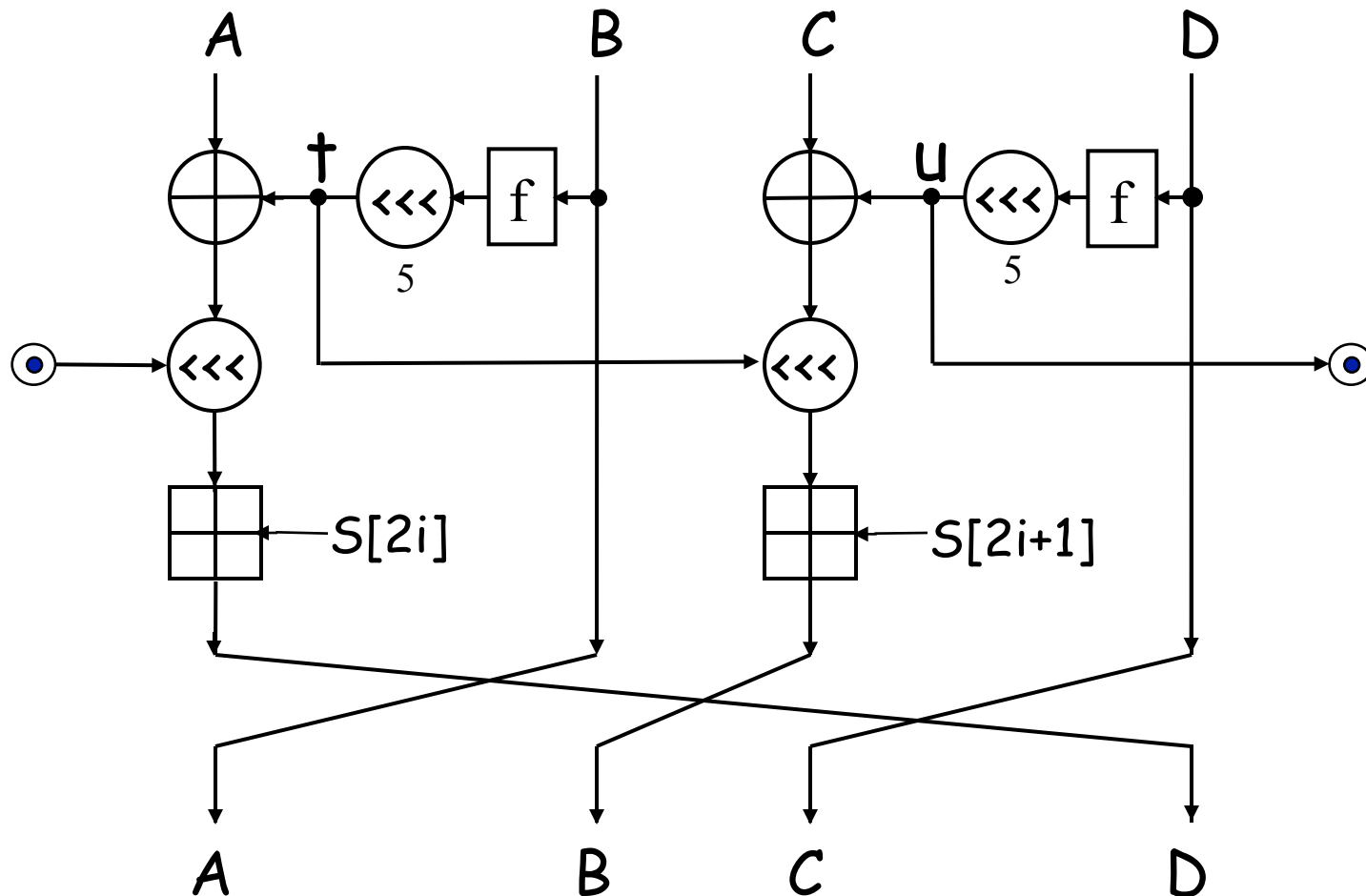
$$A = ((A \oplus t) \lll u) + S[2i]$$

$$C = ((C \oplus u) \lll t) + S[2i + 1]$$

$$(A, B, C, D) = (B, C, D, A)$$

}

One Round of RC6



(6) Add Pre- and Post-Whitening

$$B = B + S[0]$$

$$D = D + S[1]$$

for $i = 1$ to r do

{

$$t = (B \times (2B + 1)) \lll 5$$

$$u = (D \times (2D + 1)) \lll 5$$

$$A = ((A \oplus t) \lll u) + S[2i]$$

$$C = ((C \oplus u) \lll t) + S[2i + 1]$$

$$(A, B, C, D) = (B, C, D, A)$$

}

$$A = A + S[2r + 2]$$

$$C = C + S[2r + 3]$$

(7) Set $r = 20$ for high security

$B = B + S[0]$ (based on analysis)

$D = D + S[1]$

for $i = 1$ to **20** do

{

$t = (B \times (2B + 1)) \lll 5$

$u = (D \times (2D + 1)) \lll 5$

$A = ((A \oplus t) \lll u) + S[2i]$

$C = ((C \oplus u) \lll t) + S[2i + 1]$

$(A, B, C, D) = (B, C, D, A)$

}

$A = A + S[\mathbf{42}]$

$C = C + S[\mathbf{43}]$

Final RC6

RC6 Implementation Results

CPU Cycles / Operation

	<u>Java</u>	<u>Borland C</u>	<u>Assembly</u>
<u>Setup</u>	110000	2300	~1000
<u>Encrypt</u>	16200	616	254
<u>Decrypt</u>	16500	566	254

Less than two clocks per bit of plaintext !

Operations/Second (200MHz)

	<u>Java</u>	<u>Borland C</u>	<u>Assembly</u>
<u>Setup</u>	1820	86956	~200000
<u>Encrypt</u>	12300	325000	787000
<u>Decrypt</u>	12100	353000	788000

Encryption Rate (200MHz)

MegaBytes / second
MegaBits / second

	<u>Java</u>	<u>Borland C</u>	<u>Assembly</u>
<u>Encrypt</u>	0.197 1.57	5.19 41.5	12.6 100.8
<u>Decrypt</u>	0.194 1.55	5.65 45.2	12.6 100.8

Over 100 Megabits / second !



On an 8-bit processor

- ◆ On an Intel MCS51 (1 Mhz clock)
- ◆ Encrypt/decrypt at 9.2 Kbits/second (13535 cycles/block; from actual implementation)
- ◆ Key setup in 27 milliseconds
- ◆ Only 176 bytes needed for table of round keys.
- ◆ Fits on smart card (< 256 bytes RAM).

Custom RC6 IC

- ◆ 0.25 micron CMOS process
- ◆ One round/clock at 200 MHz
- ◆ Conventional multiplier designs
- ◆ 0.05 mm² of silicon
- ◆ 21 milliwatts of power
- ◆ Encrypt/decrypt at 1.3 Gbits/second
- ◆ With pipelining, can go faster, at cost of more area and power

RC6 Security Analysis

Analysis procedures

- ◆ Intensive analysis, based on most effective known attacks (e.g. linear and differential cryptanalysis)
- ◆ Analyze not only RC6, but also several "simplified" forms (e.g. with no quadratic function, no fixed rotation by 5 bits, etc...)

Linear analysis

- ◆ Find approximations for $r-2$ rounds.
- ◆ Two ways to approximate $A = B \lll C$
 - with one bit each of A, B, C (type I)
 - with one bit each of A, B only (type II)
 - each have bias $1/64$; type I more useful
- ◆ Non-zero bias across $f(B)$ only when input bit = output bit. (Best for lsb.)
- ◆ Also include effects of multiple linear approximations and linear hulls.

Security against linear attacks

Estimate of number of plaintext/ciphertext pairs required to mount a linear attack.

(Only 2^{128} such pairs are available.)

Rounds	Pairs
8	2^{47}
12	2^{83}
16	2^{119}
20 ← RC6 →	2^{155} Infeasible
24	2^{191}

Differential analysis

- ◆ Considers use of (iterative and non-iterative) $(r-2)$ -round *differentials* as well as $(r-2)$ -round *characteristics*.
- ◆ Considers two notions of "difference":
 - exclusive-or
 - subtraction (better!)
- ◆ Combination of quadratic function and fixed rotation by 5 bits very good at thwarting differential attacks.

An iterative RC6 differential

- ◆

A	B	C	D
$1 \ll 16$	$1 \ll 11$	0	0
$1 \ll 11$	0	0	0
0	0	0	$1 \ll s$
0	$1 \ll 26$	$1 \ll s$	0
$1 \ll 26$	$1 \ll 21$	0	$1 \ll v$
$1 \ll 21$	$1 \ll 16$	$1 \ll v$	0
$1 \ll 16$	$1 \ll 11$	0	0

◆ Probability = 2^{-91}

Security against differential attacks

Estimate of number of plaintext pairs required to mount a differential attack.

(Only 2^{128} such pairs are available.)

Rounds	Pairs
8	2^{56}
12	2^{97}
16	2^{190} Infeasible
20 ← RC6 →	2^{238}
24	2^{299}

Security of Key Expansion

- ◆ Key expansion is identical to that of RC5; no known weaknesses.
- ◆ No known weak keys.
- ◆ No known related-key attacks.
- ◆ Round keys appear to be a "random" function of the supplied key.
- ◆ Bonus: key expansion is quite "one-way"---difficult to infer supplied key from round keys.

Conclusion

- ◆ RC6 more than meets the requirements for the AES; it is
 - simple,
 - fast, and
 - secure.
- ◆ For more information, including copy of these slides, copy of RC6 description, and security analysis, see www.rsa.com/rsalabs/aes

(The End)
